

## Ultra Low noise amplifier 13 GHz

- Low noise 6 dB noise figure
- Wideband 8.5 – 13 GHz
- Lowest added jitter
- Class A amplifier
- Unconditionally stable
- 24 - 28 dB gain
- output power + 32 dBm max.
- SMA input / output connectors
- Gold plated aluminum case



Applications : research - commercial - test& measurement

| A-13G Specifications              |                       |
|-----------------------------------|-----------------------|
| Frequency range                   | 8.5 ... 13 GHz        |
| Gain                              | 24 - 28 dB            |
| Noise figure                      | 6 dB                  |
| Output power at 1 dB compression  | + 30 – 32 dBm         |
| P sat                             | + 33 dBm              |
| Input RF power max. ( no damage ) | + 20 dBm              |
| DC supply                         | 9 - 16 V DC           |
| Power consumption                 | 11W                   |
| Operating temperature             | - 20 .... + 50 deg. C |
| RF input / output connectors      | SMA                   |
| Dimensions                        | 100 x 50 x 16 mm      |
|                                   |                       |
|                                   |                       |

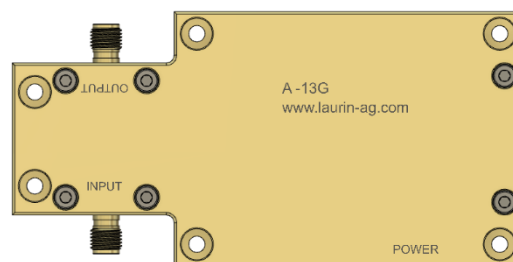
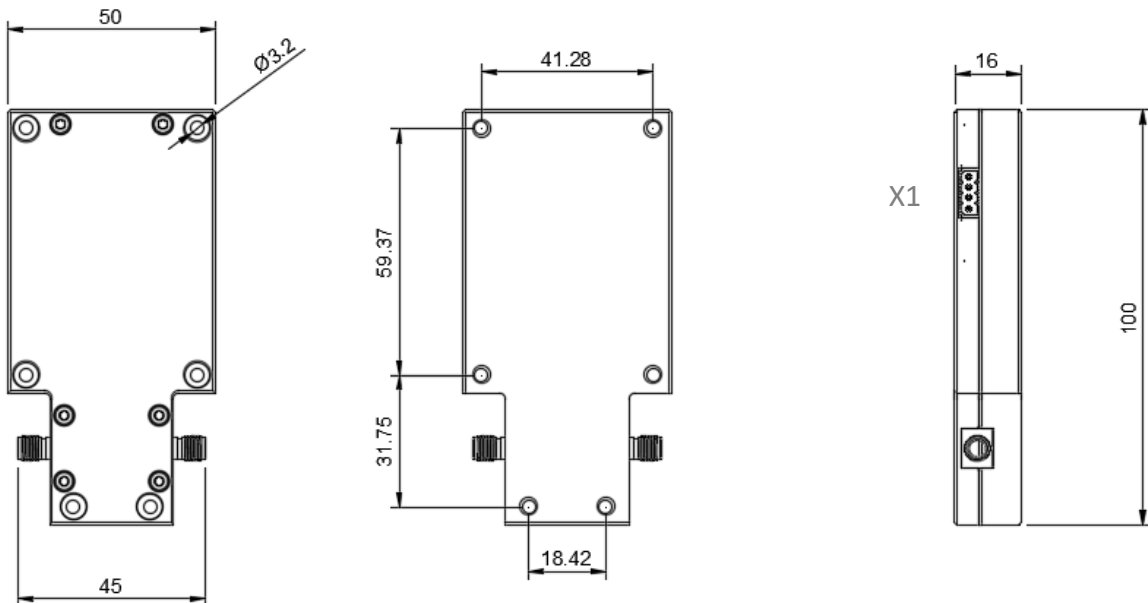
# A-13G

| Pin   | Connector X1 |  |
|---|--------------|--|
| 1   | VCC          | 9 – 16 V DC  |
| 2   | VCC          |  |
| 3   | GND          |  |
| 4   | GND          |  |
| DC Connector type   |              | PTSM 0,5/ 4-HH0-2,5-SMD Phoenix Contact              |
| Matching connector Phoenix Contact<br>Mouser order number |              | PTSM 0,5/ 4-P-2,5 WH Art. Nr. 1792249<br>651-1792249 |

## Options / order information

|             |                            |
|-------------|----------------------------|
| A - 13G.01  |                            |
| A-13G.01-HS | A-13G mounted on heat sink |

outline drawing  
all dimensions in mm



X1

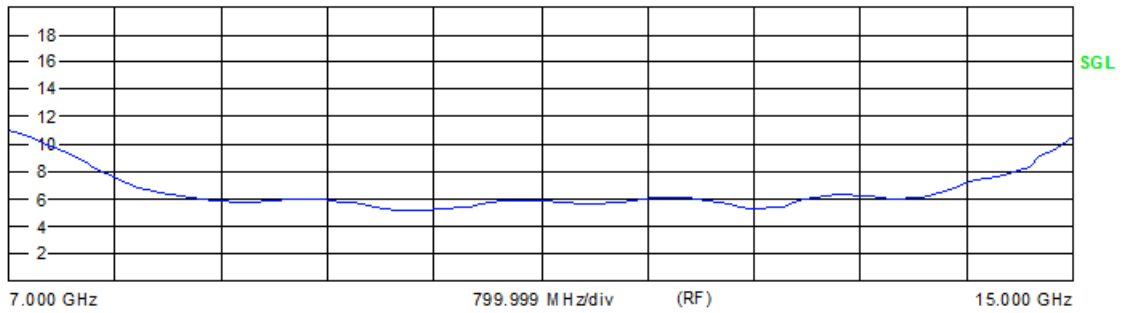
# A-13G

noise figure 7 GHz - 15 GHz

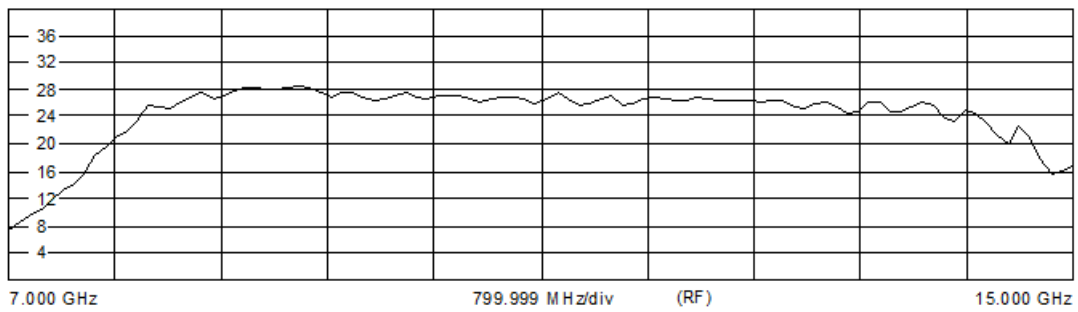
| Direct        |         | NOISE & GAIN   |          |                 |           | CALIBRATED |
|---------------|---------|----------------|----------|-----------------|-----------|------------|
| RBW:          | 100 kHz | RF Atten.      | 0 dB     | 2nd Stage Corr. | On        |            |
| Average:      | 20      | Auto Ref Level | On       | Image Rejection | ...       |            |
| Current Value |         |                |          |                 |           |            |
| RF:           | 15 GHz  | ENR            | 22.31 dB | NF.             | 10.44 dB  |            |
| LO:           | ...     | Loss In        | 0 dB     | Noise Temp.     | 2921.54 K |            |
| IF:           | ...     | Loss Out       | 0 dB     | Gain            | 16.82 dB  |            |

## Noise Figure

Ref -54.9 dBm      SWT 100 ms



## Gain



Measurement Complete

Date: 28.APR.2020 11:33:41