

Ultra low noise amplifier 13 GHz

- Low noise 6 dB noise figure
- Wideband 8.5 – 13 GHz
- Lowest added jitter
- Class A amplifier
- Unconditionally stable
- 24 - 28 dB gain
- output power + 35 dBm max.
- SMA input / output connectors
- Gold plated aluminum case



Applications : research - commercial - test& measurement

A-13G.02 Specifications	
Frequency range	8.5 ... 13 GHz
Gain	24 - 28 dB
Noise figure	6 dB
Output power at 1 dB compression	+ 32 – 35 dBm
P sat	+ 35 dBm
Input RF power max. (no damage)	+ 20 dBm
DC supply	9 - 16 V DC
Power consumption	11W
Operating temperature	- 20 + 50 deg. C
RF input / output connectors	SMA
Dimensions	100 x 50 x 16 mm

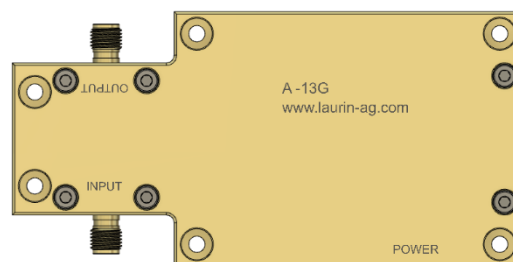
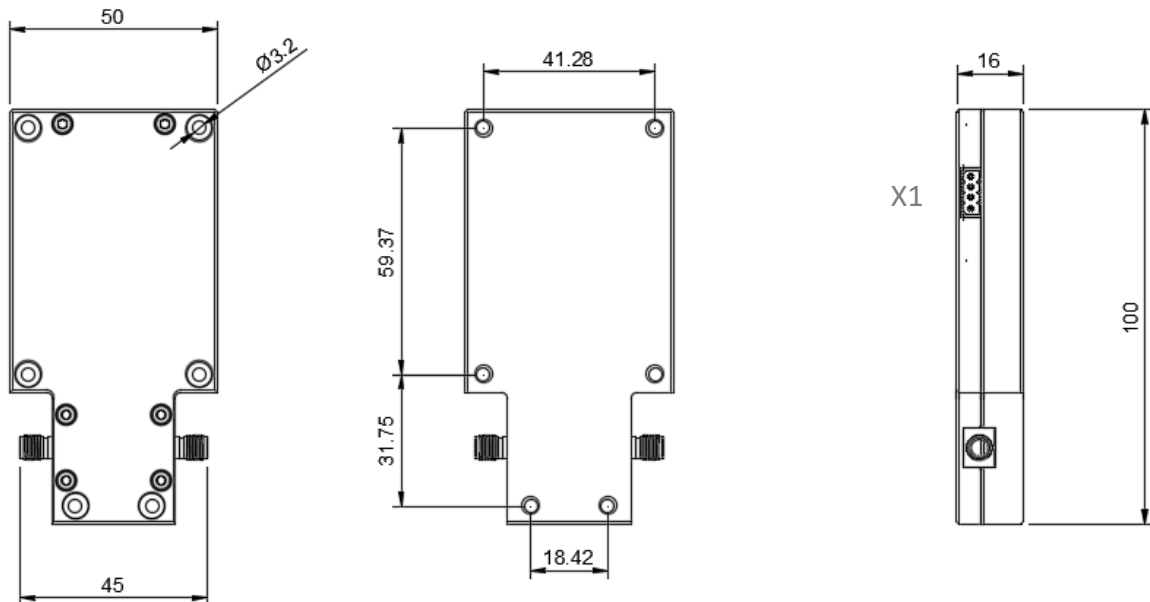
A-13G.02

Pin	Connector X1	
1	VCC	9 – 16 V DC
2	VCC	
3	GND	
4	GND	
DC Connector type		PTSM 0,5/ 4-HH0-2,5-SMD Phoenix Contact
Matching connector Phoenix Contact Mouser order number		PTSM 0,5/ 4-P-2,5 WH Art. Nr. 1792249 651-1792249

Options / order information

A - 13G.02	High power variant
A-13G.02-HS	A-13G.02 mounted on heat sink

outline drawing
all dimensions in mm



X1

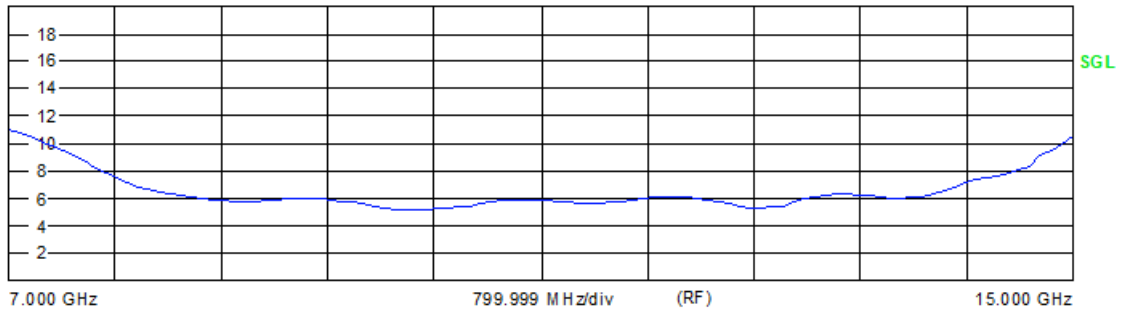
A-13G.02

noise figure 7 GHz - 15 GHz

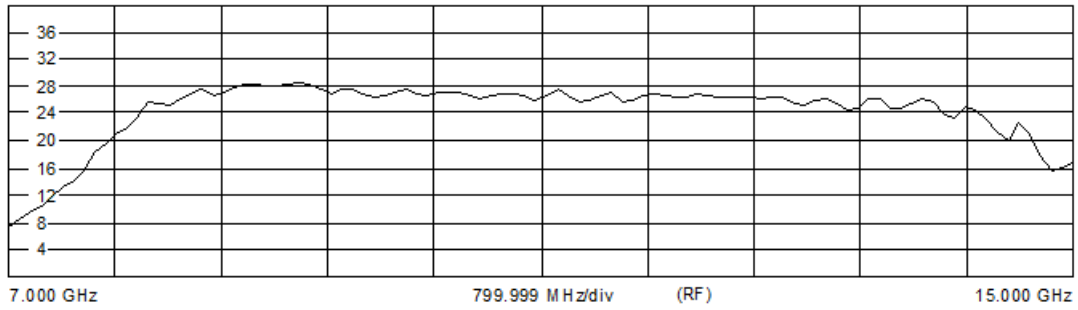
Direct		NOISE & GAIN			CALIBRATED
RBW:	100 kHz	RF Atten.	0 dB	2nd Stage Corr.	On
Average:	20	Auto Ref Level	On	Image Rejection	...
Current Value					
RF:	15 GHz	ENR	22.31 dB	NF.	10.44 dB
LO:	...	Loss In	0 dB	Noise Temp.	2921.54 K
IF:	...	Loss Out	0 dB	Gain	16.82 dB

Noise Figure

Ref -54.9 dBm SWT 100 ms



Gain



Measurement Complete

Date: 28.APR.2020 11:33:41